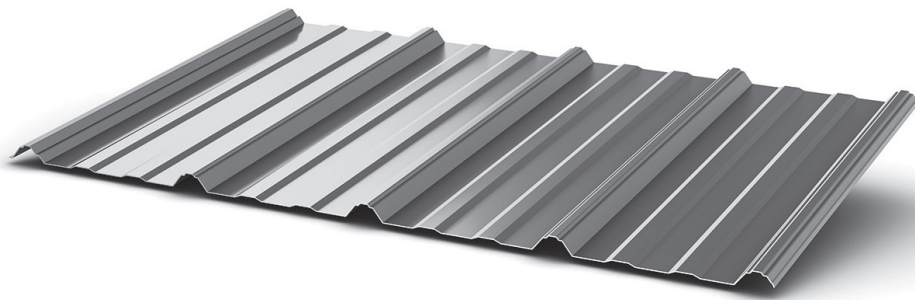




*Your Roof. For Life!  
On Time and Complete!™*

# MasterRib® Trim Guide





Your Roof. For Life!  
On Time and Complete!™

# Table Of Contents

<b>MasterRib® Panel Details</b> .....	3-4
<b>Trim Selector</b> .....	5
<b>Trims</b>	
Drip/ Eave Edges .....	6-7
Rake / Rake and Corner.....	7-8
Inside Corner.....	8
Endwall.....	8-9
Transition.....	9
Gambrel.....	9-10
Ridge / Hip.....	10-11
Sidewall .....	11
Fascia.....	12
One Piece Fascia / So it.....	13
Double Angle .....	13
W-Valley .....	13
F and J .....	14
J Channel .....	14
Drip Cap .....	15
Jamb Trim.....	15
Base Angle / Angle .....	15
Peak .....	16
Door Track Cover .....	16
Counter Flashing .....	16
Overhead Door Trim.....	16
Reglet.....	17
Cleat.....	17
Snow Rail .....	17
<b>Accessories</b> .....	18
<b>Cannonball Items</b> .....	19

## MasterRib®

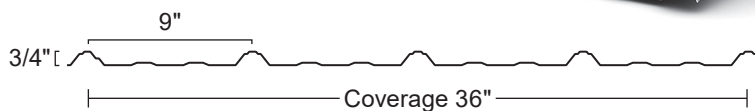
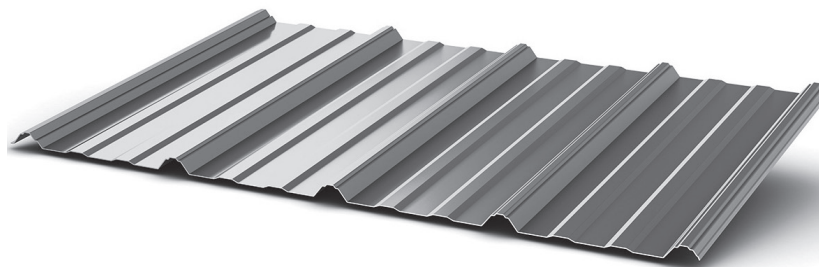
MasterRib® is our most popular metal roofing panel and is an industry leader in strength and durability. This versatile metal roofing panel features classic looks and is used in a wide range of roofing and sidewall applications, including residential, commercial, post-frame, and agricultural. MasterRib® was designed with extra-wide ribs to increase strength and ease handling and installation.

### Specifications:

- Exposed fastener panel for roof and wall applications.
- 3:12 minimum roof pitch.  
Suitable for solid deck or open framing.

### Substrates and Coatings:

- 29 and 26 gauge high strength steel.
- Anti-Corrosion AZ50 Galvalume coating for painted and
- AZ55 for unpainted steel.
- 45-Year Industry Leading, Written Warranty on Painted Products with No Coastal Set Back. Ask your Union Sales Representative for additional warranty information.



# Panel Details

## MasterRib®

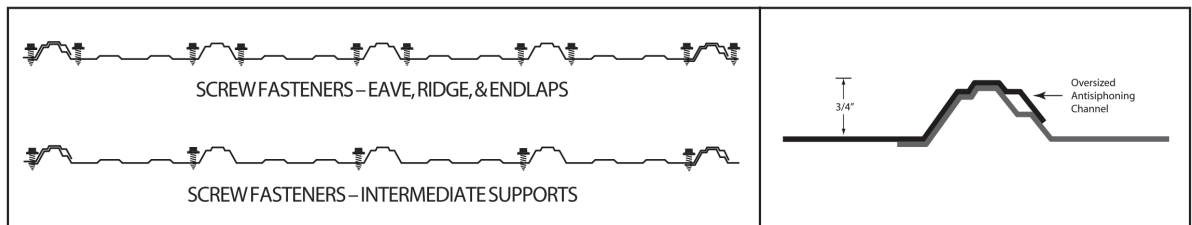
### Allowable Uniforms Loads per Square Foot

Maximum purlin spacing for roof 2' on center and maximum girt spacing for sidewall 3' on center. Place fasteners in the pan of panel for best results. (Three spans or more)

SPAN (INCHES)	LIVE LOAD (lb/ft <sup>2</sup> )						WIND LOAD (lb/ft <sup>2</sup> )					
	18"	24"	30"	36"	48"	54"	18"	24"	30"	36"	48"	54"
29 Gauge	199	112	71	49	28	22	211	118	76	52	29	23
26 Gauge	268	150	96	67	37	29	276	155	99	69	38	30

#### Notes:

1. Theoretical allowable loads are based on section properties and allowables calculated in accordance with 2001 AISI Specifications.
2. Theoretical allowable loads are based on three or more uniform spans.
3. For roof panels, deduct self weight for actual 'live load' capacity of the panel.
4. These loads are for panel strength. Frames, purlins, decks and fasteners must be designed to resist all loads imposed on the panel.
5. Check local building codes if panel testing is required.



### Storage

If the panels are not to be used immediately, store inside in a well ventilated and dry location. Condensation or moisture can form between the sheets during storage causing water stains or white rust which detract from the appearance of the product and may effect the product's useful life. Trapped moisture between sheets of painted metal can cause white rust to form underneath the paint. This can cause the paint to flake off of the panel immediately or several years later. To prevent white rust and staining, the following precautions should be taken:

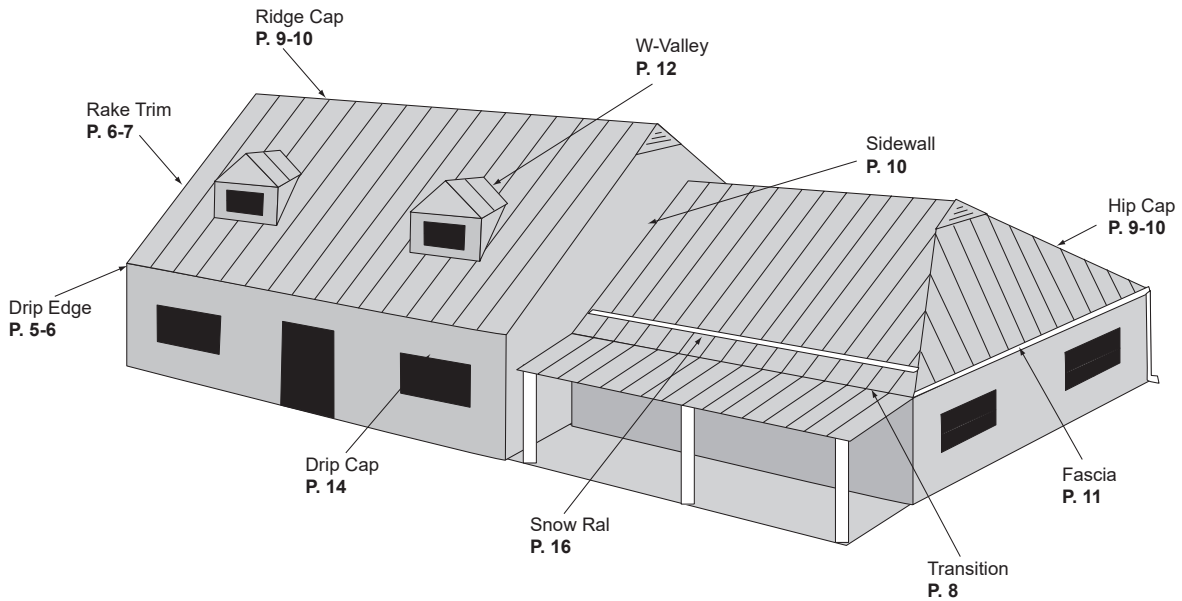
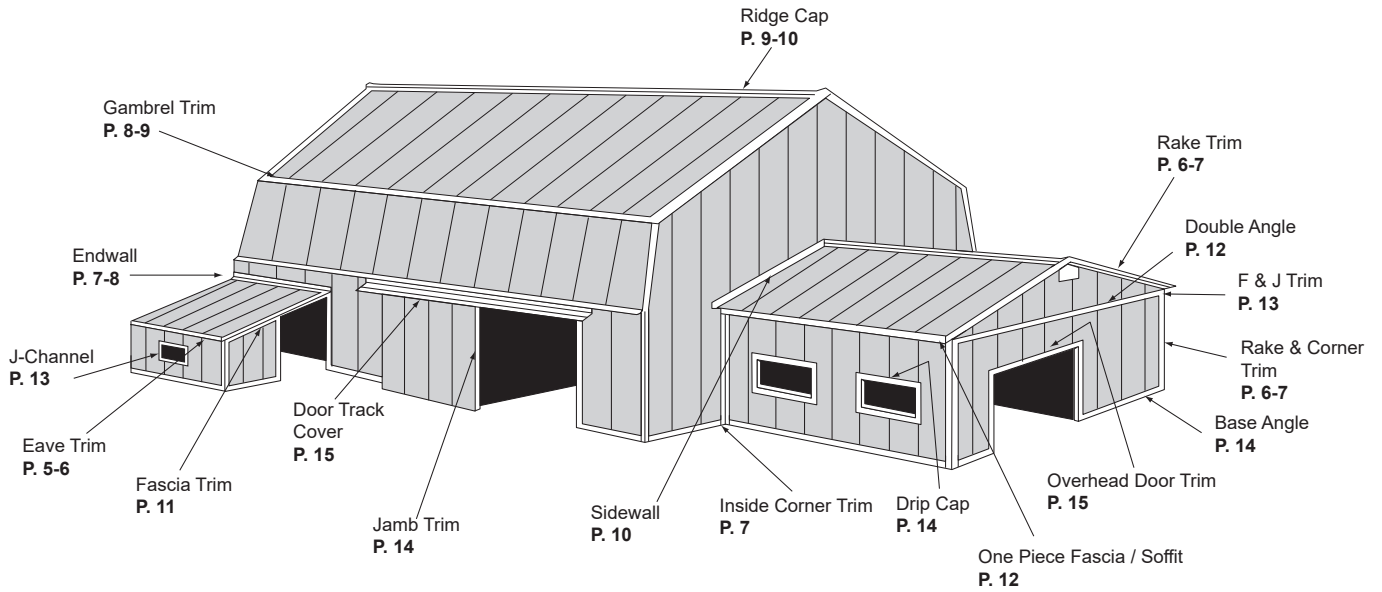
1. Break the shipping bands on the metal and wipe the sheets dry.
2. Store metal on end or on an incline of at least 8° with support bands underneath to prevent sagging.
3. Fan sheets slightly at the bottom to allow for air circulation.
4. Keep the sheets off the ground with an insulator such as wood.

**BEFORE BEGINNING INSTALLATION OF THIS PRODUCT, READ OUR INSTALLATION INSTRUCTIONS**

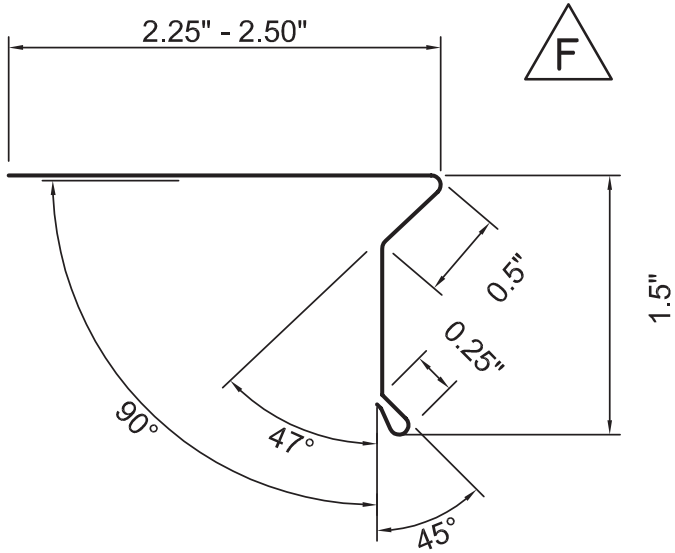
# Trim Selector



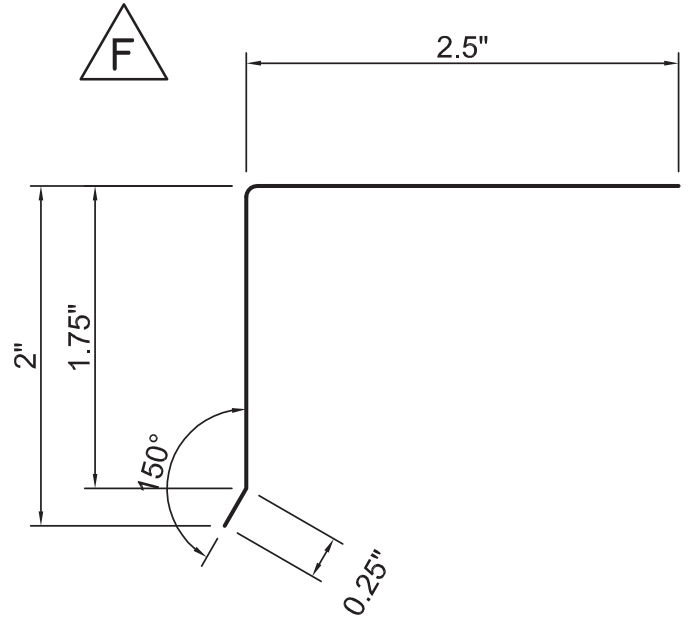
Your Roof. For Life!  
On Time and Complete!™



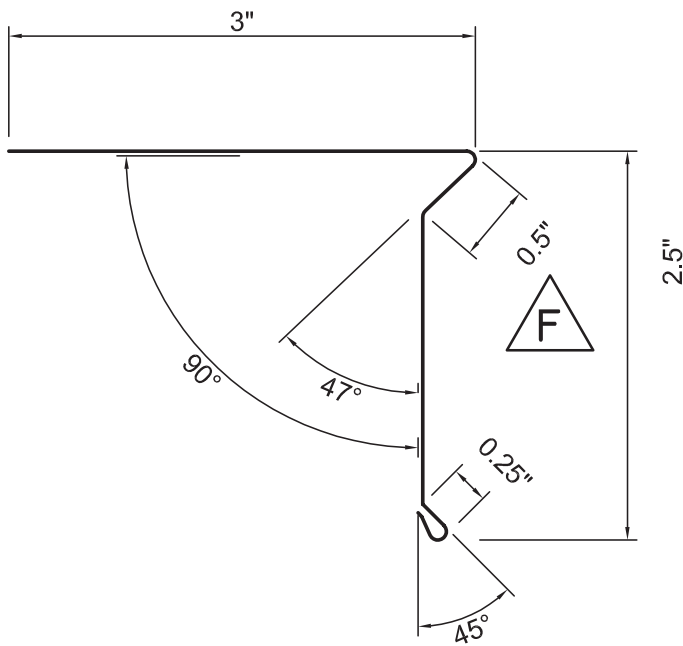
# Trim



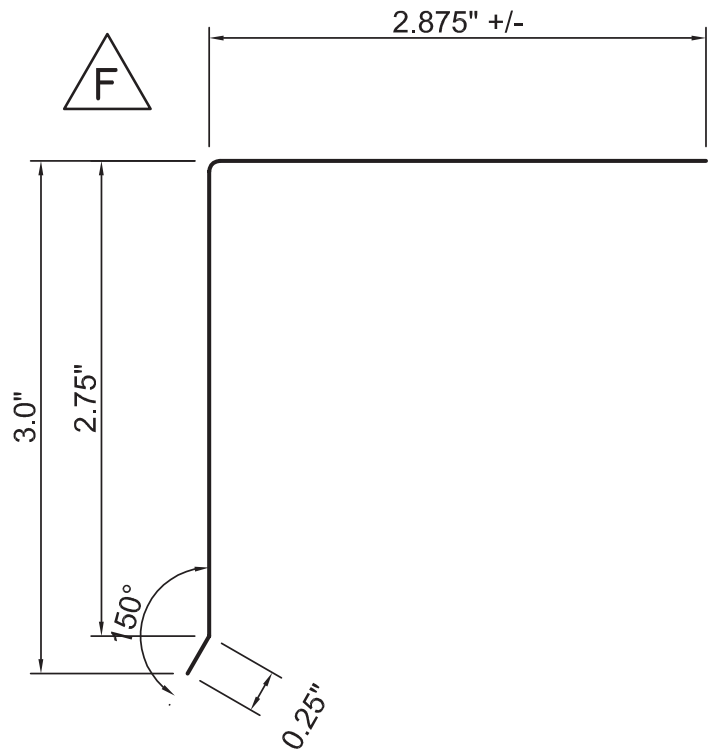
FT01 4.5" T-STYLE DRIP EDGE



FT03 DRIP EDGE 2" X 2"



FT02 6" T-STYLE DRIP EDGE

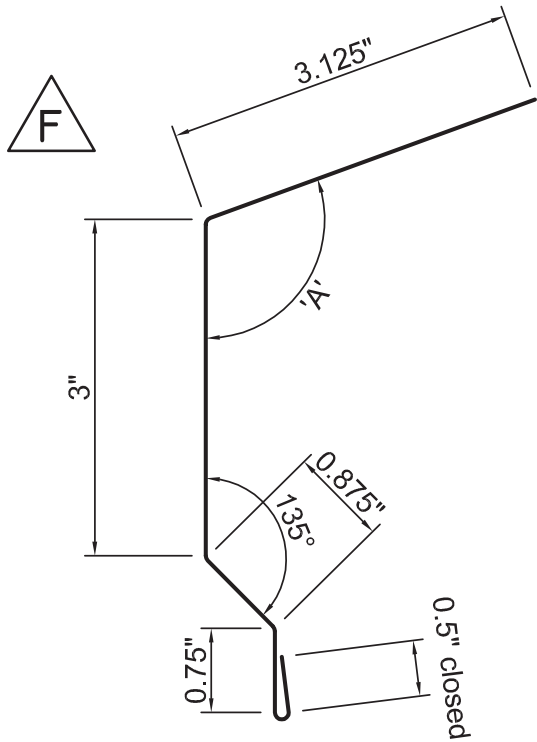


FT04 DRIP EDGE 3" X 3"

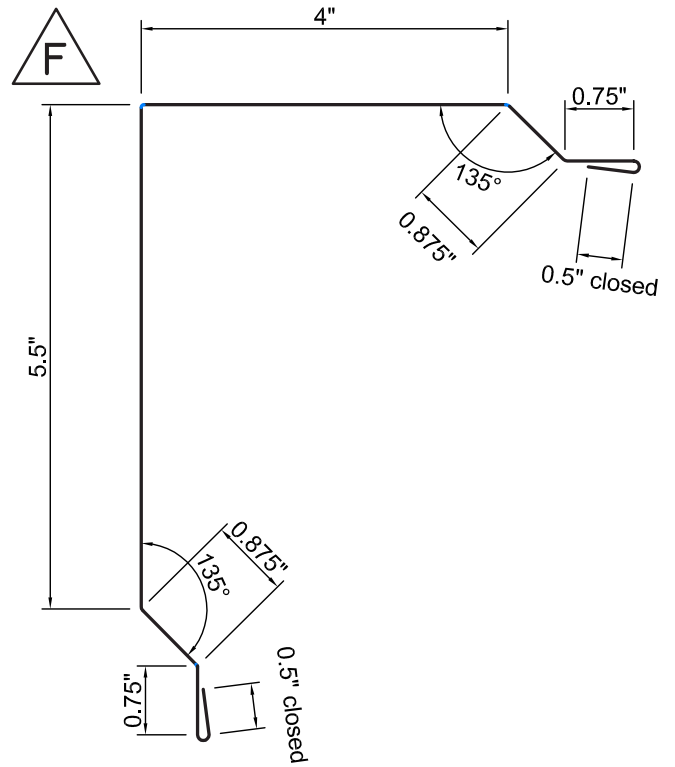
# Trim



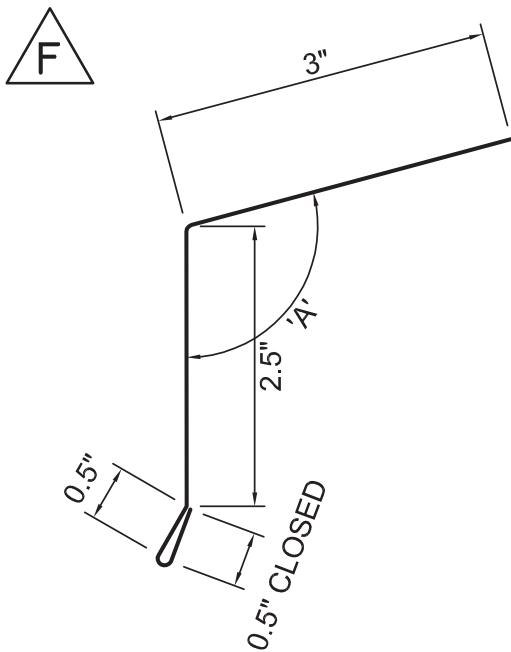
Your Roof. For Life!  
On Time and Complete!™



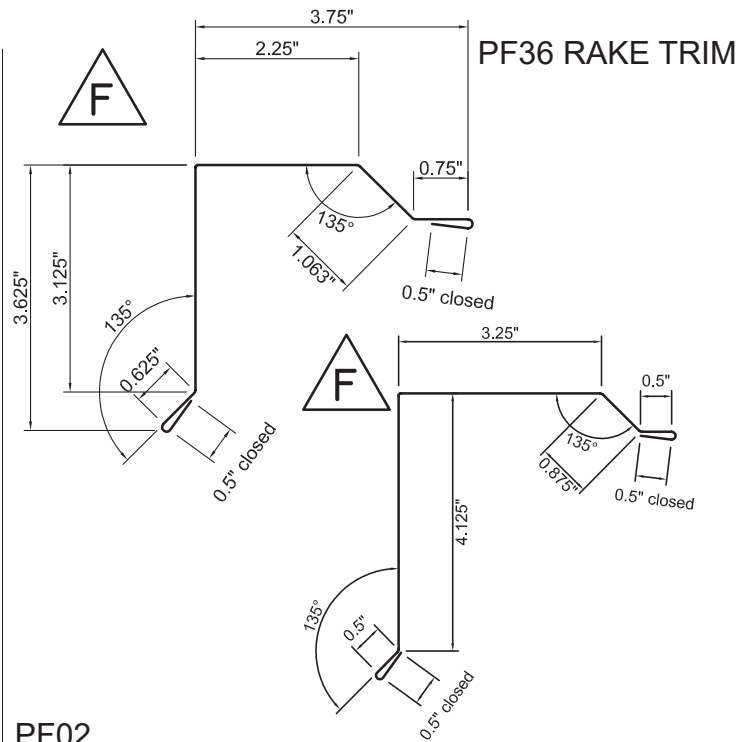
PF09 POST FRAME EAVE TRIM



PF03 POST FRAME RAKE TRIM



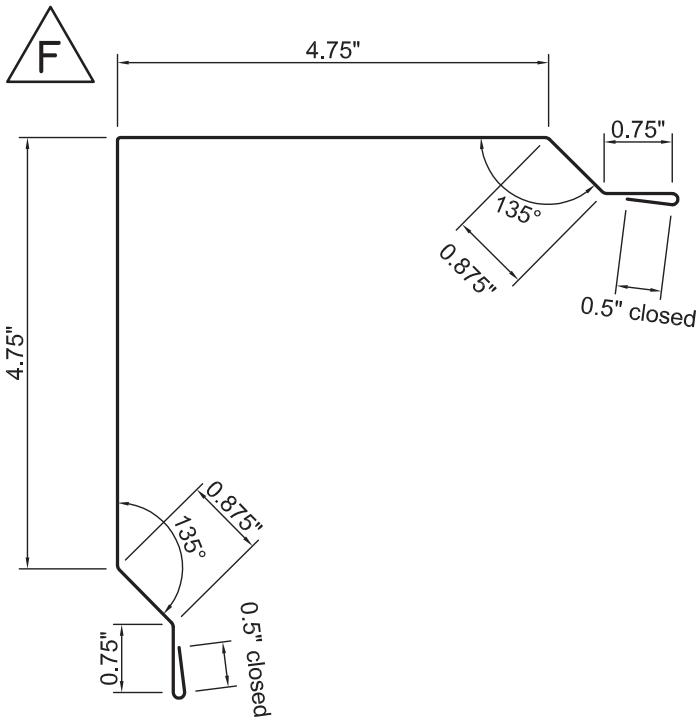
PF31 EAVE EDGE



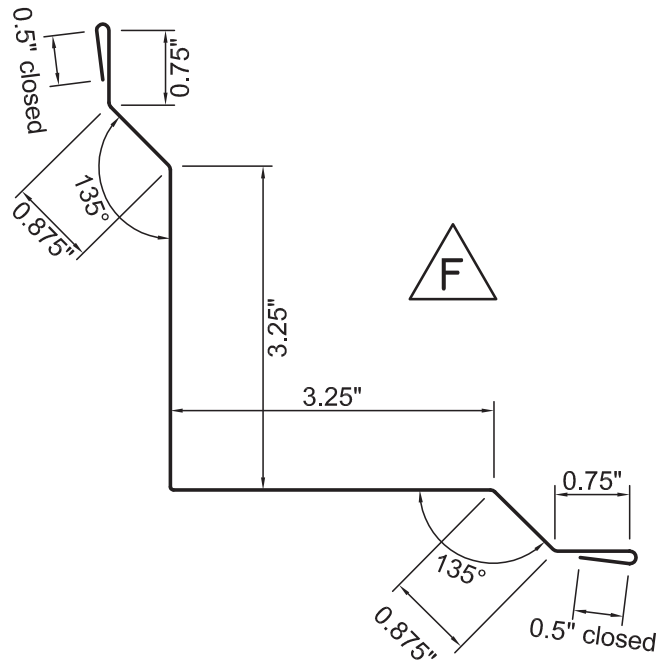
PF02  
RESIDENTIAL RAKE

PF36 RAKE TRIM

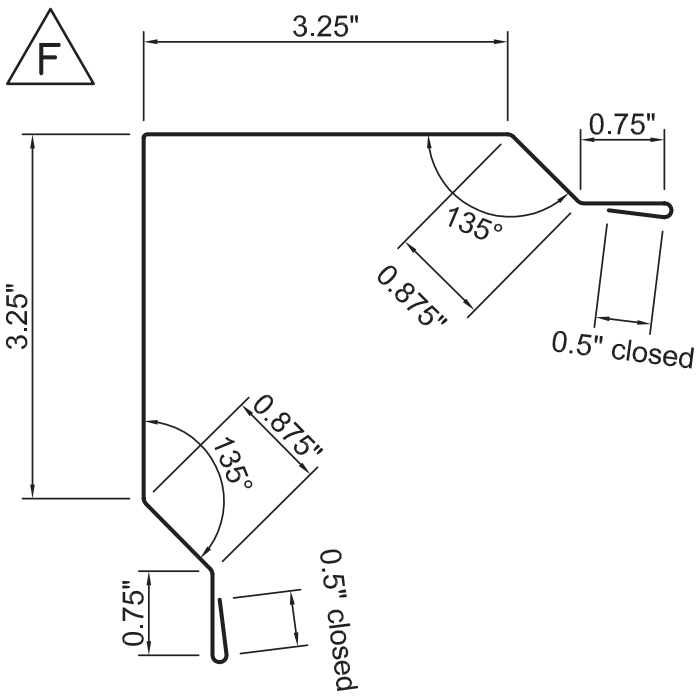
# Trim



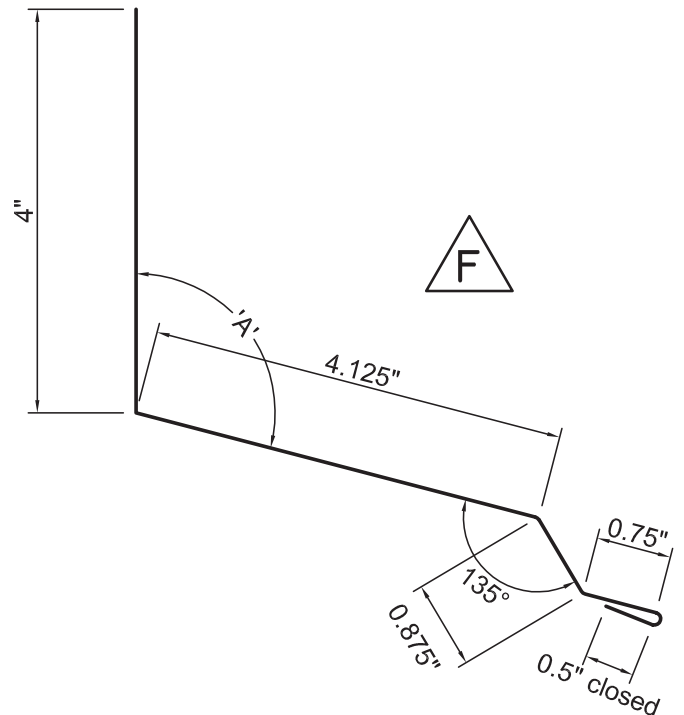
PF05 OUTSIDE CORNER TRIM



PF06 INSIDE CORNER TRIM



PF04 OUTSIDE CORNER TRIM



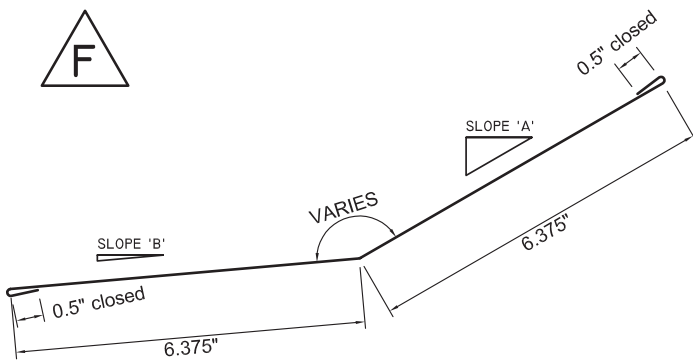
PF08 ENDWALL FLASHING



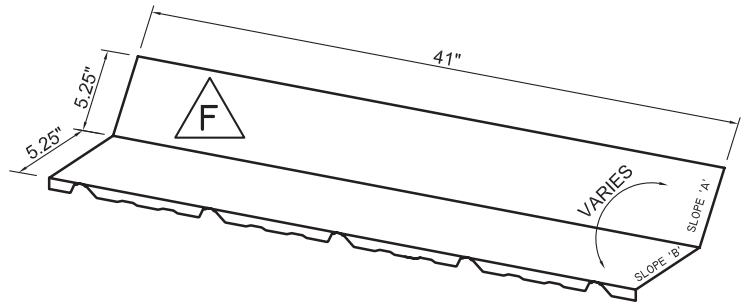
# Trim



Your Roof. For Life!  
On Time and Complete!™

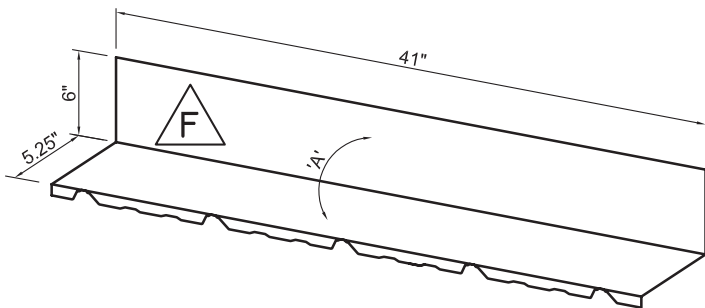


**PF10 SLOPE TRANSITION FLASHING**



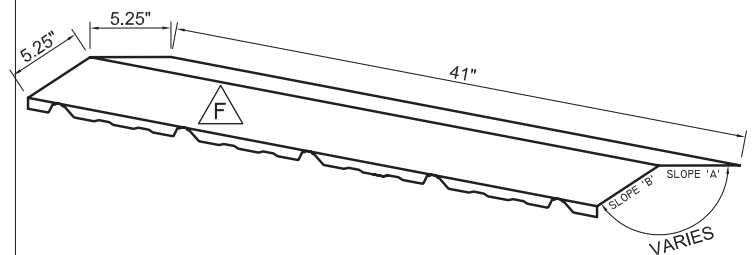
**PF49 NOTCHED TRANSITION FLASHING\***

*\*Not available at some locations.  
Contact your local sales rep for more information.*



**PF48 NOTCHED ENDWALL FLASHING\***

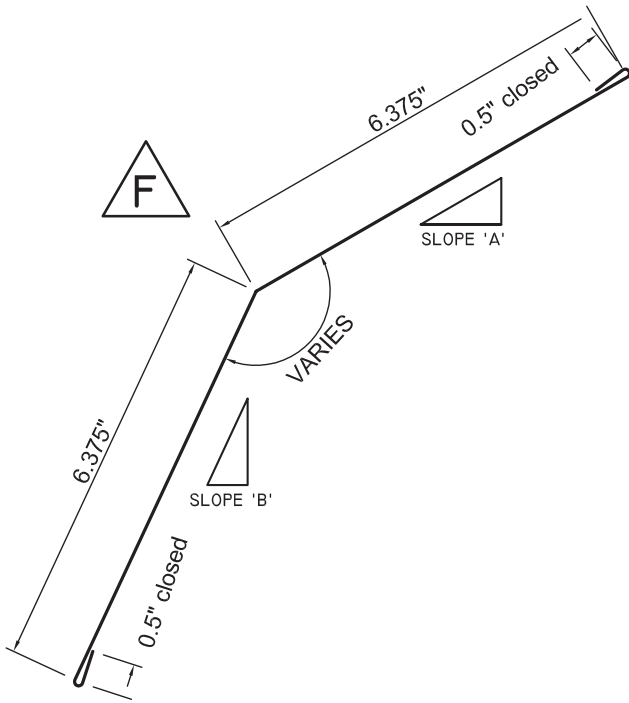
*\*Not available at some locations.  
Contact your local sales rep for more information.*



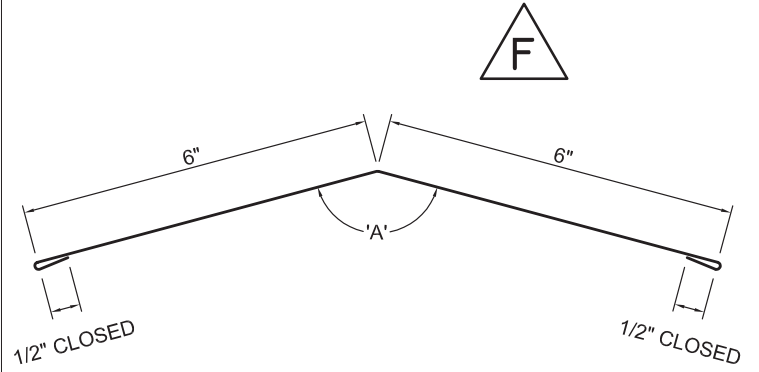
**PF50 NOTCHED GAMBREL FLASHING**

*\*Not available at some locations.  
Contact your local sales rep for more information.*

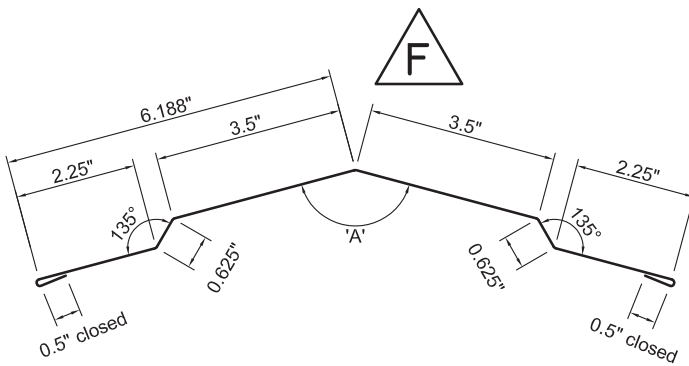
# Trim



PF11 GAMBREL FLASHING



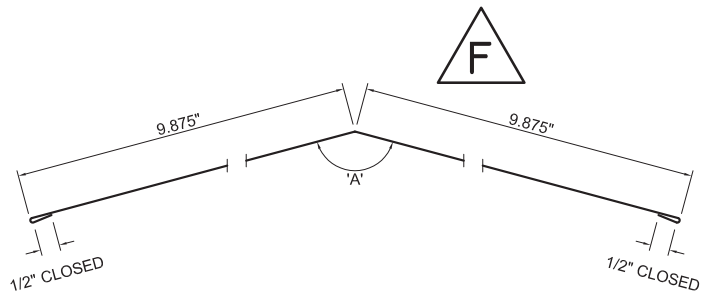
PF32 RIDGE/HIP CAP



PF34 RIDGE/HIP CAP

*\*Plant specific ridge cap.*

Contact your local sales rep for more information.

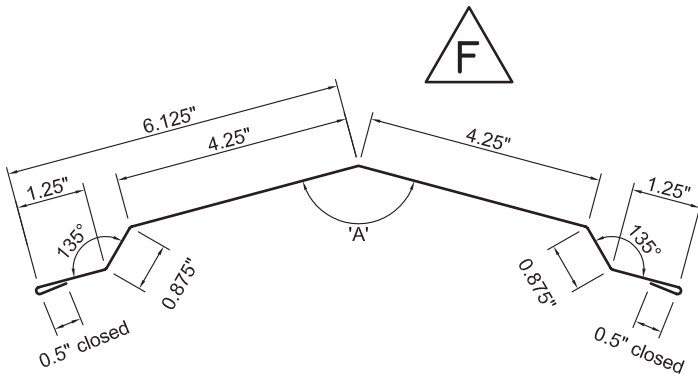


PF52 RIDGE/HIP CAP

# Trim



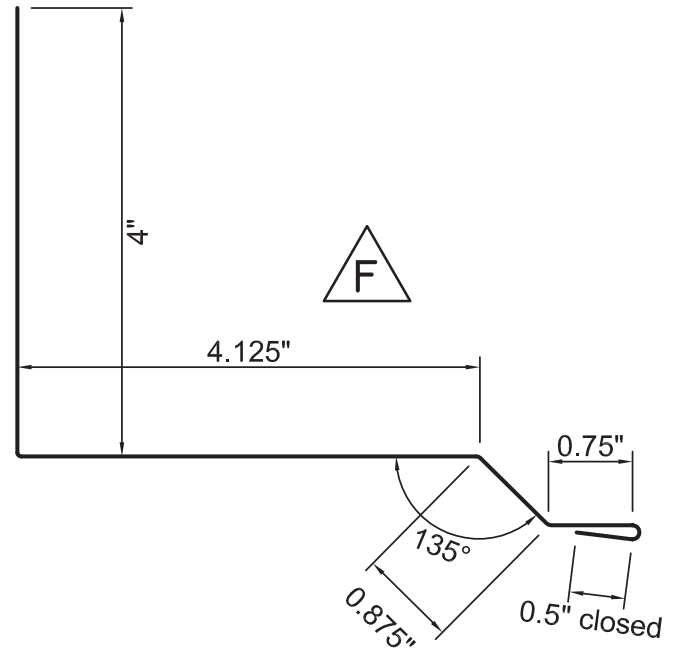
Your Roof. For Life!  
On Time and Complete!™



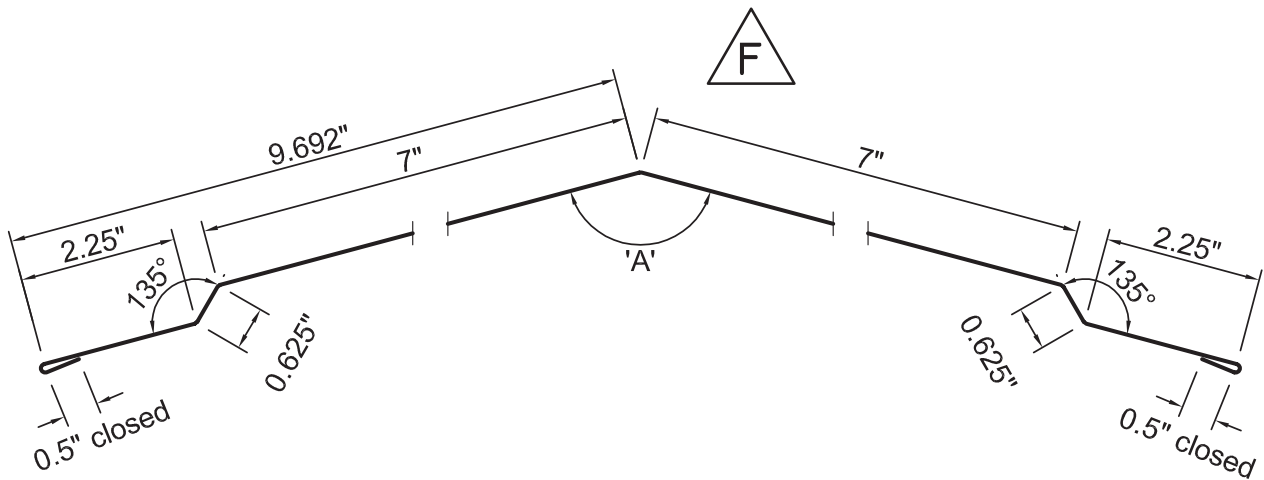
**PF01 RIDGE/HIP CAP**

*\*Plant specific ridge cap.*

Contact your local sales rep for more information.

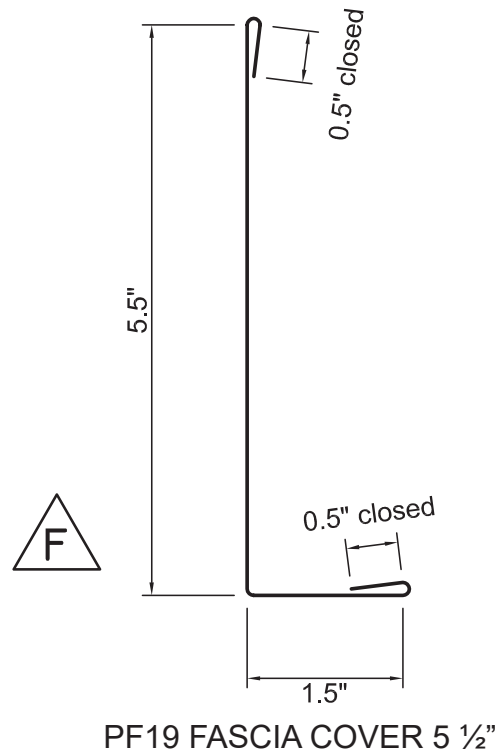
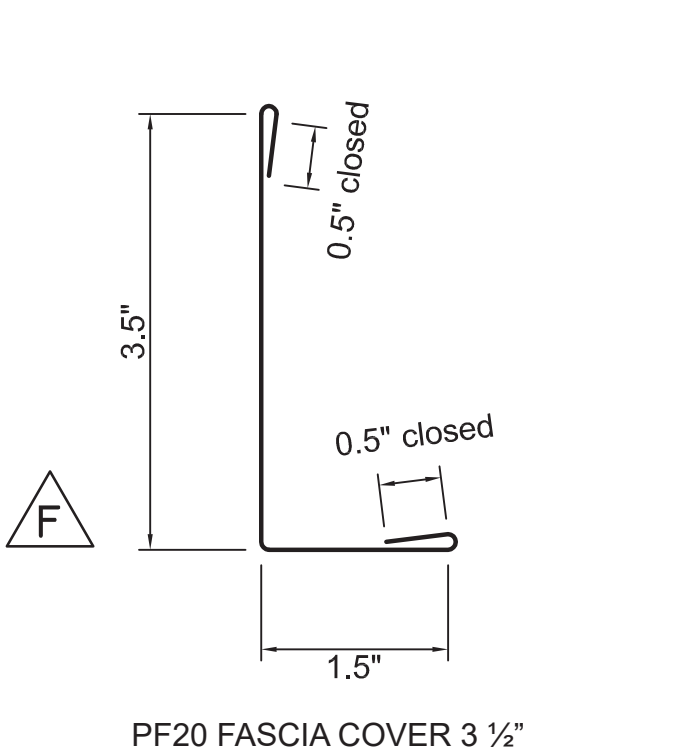
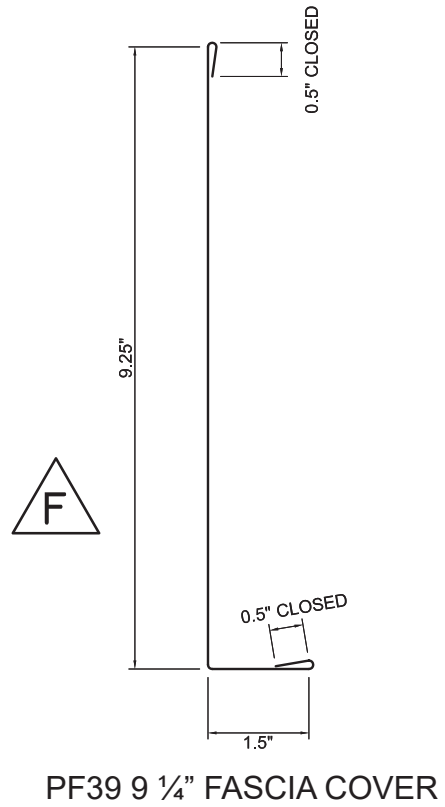
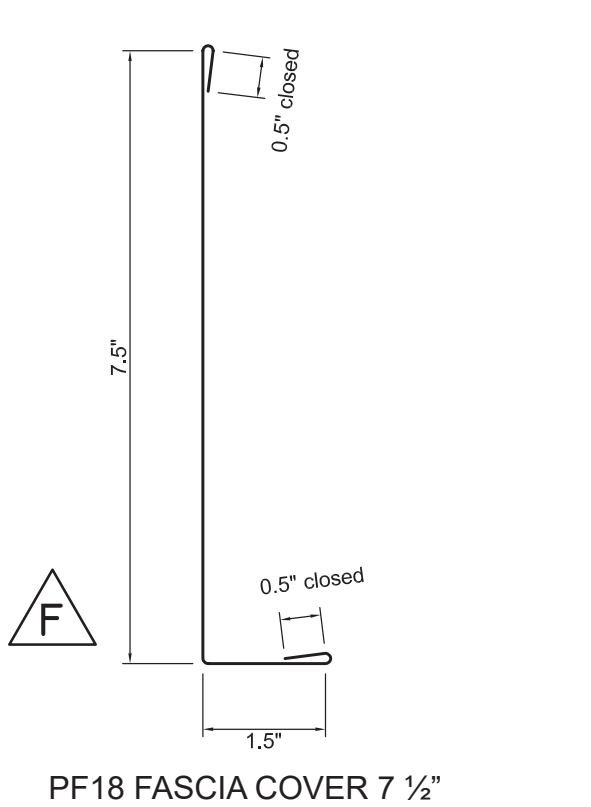


**PF07 SIDEWALL FLASHING**



**PF51 RIDGE/HIP CAP**

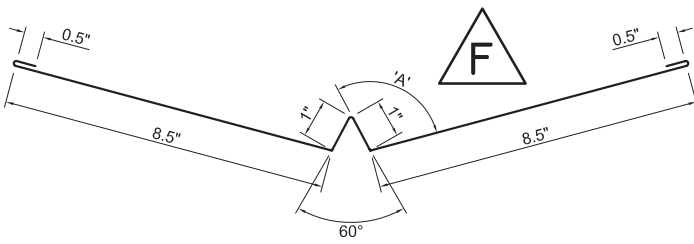
# Trim



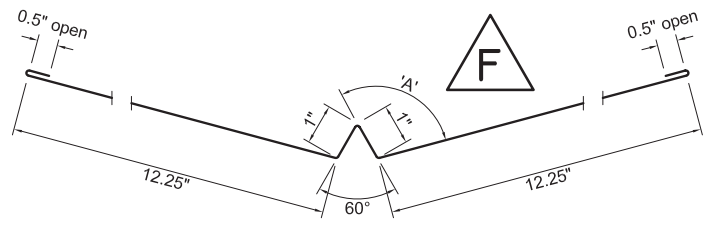
# Trim



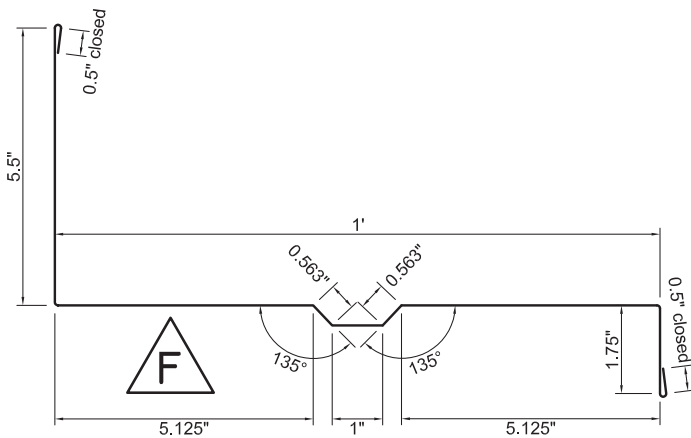
Your Roof. For Life!  
On Time and Complete!™



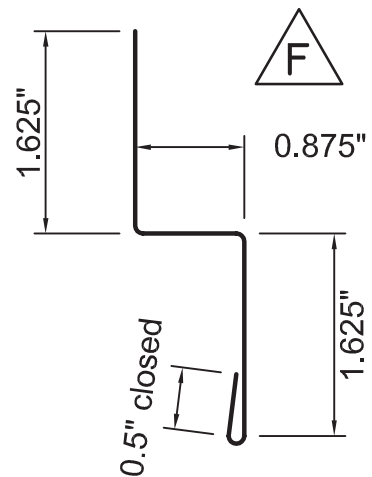
PF12 W-VALLEY FLASHING



PF47 W-VALLEY FLASHING, 12" X 12"

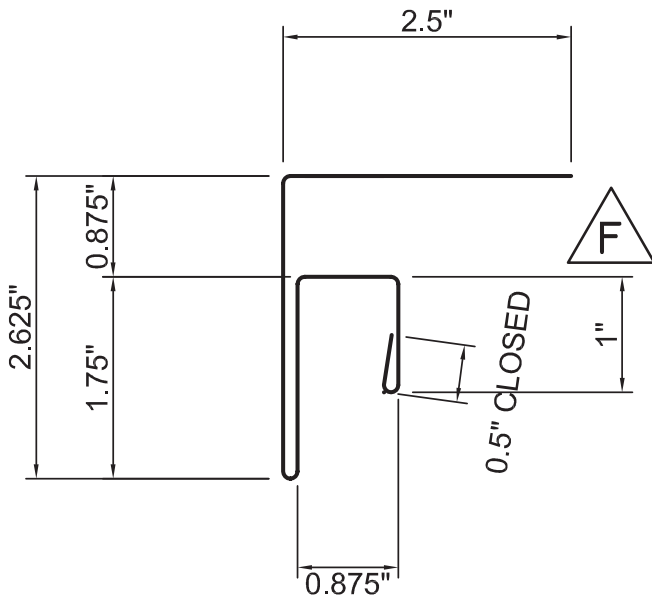


PF22 ONE-PIECE FASCIA AND SOFFIT

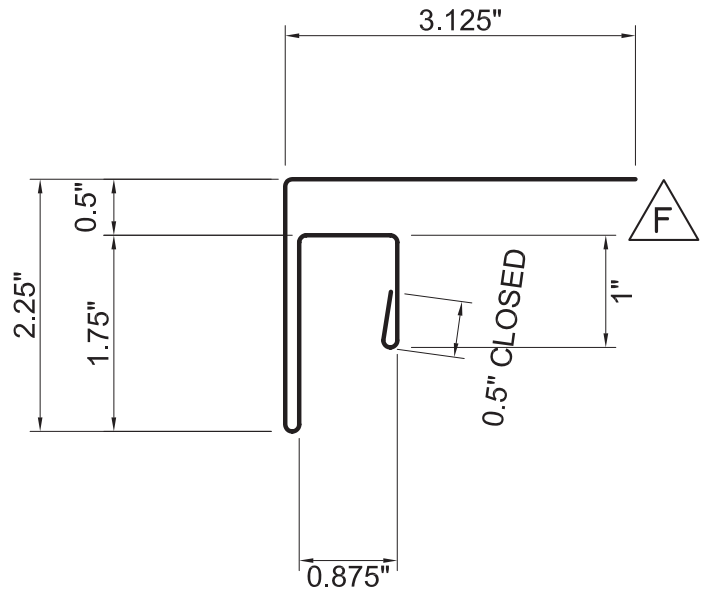


PF16 DOUBLE ANGLE FLASHING

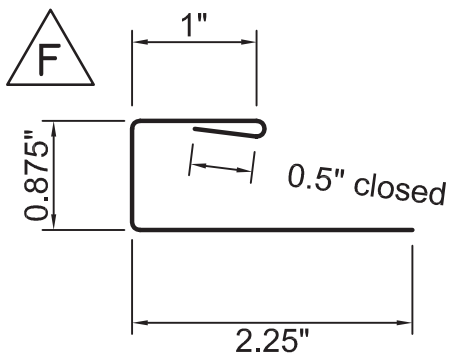
# Trim



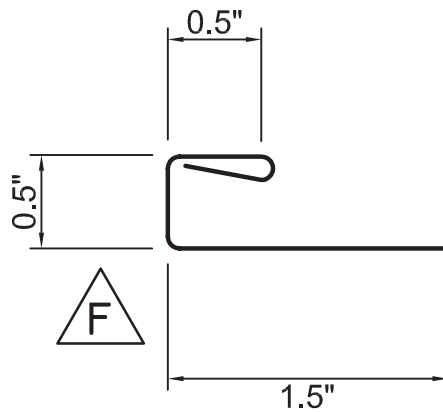
PF42 F AND J TRIM ( $\frac{3}{4}$ " TO  $\frac{3}{4}$ " )



PF55 F AND J TRIM ( $\frac{1}{2}$ " TO  $\frac{3}{4}$ " )



PF13 J-CHANNEL

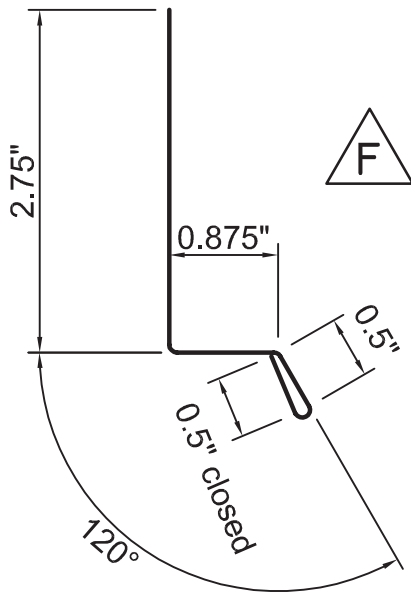


PF37 J-CHANNEL

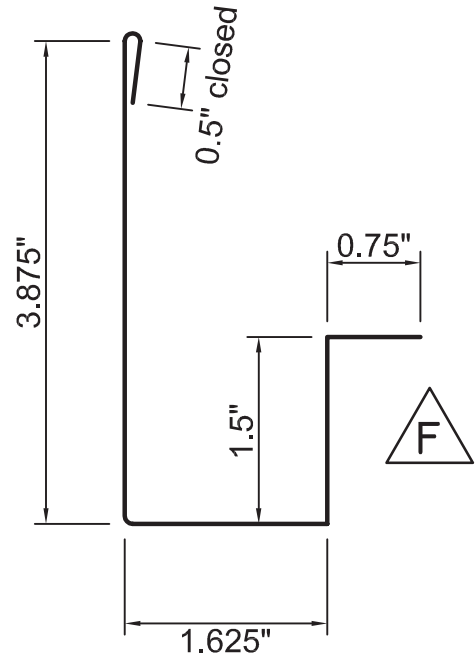
# Trim



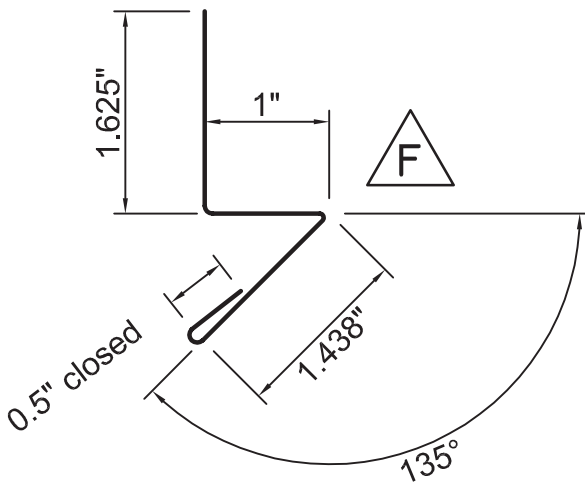
Your Roof. For Life!  
On Time and Complete!™



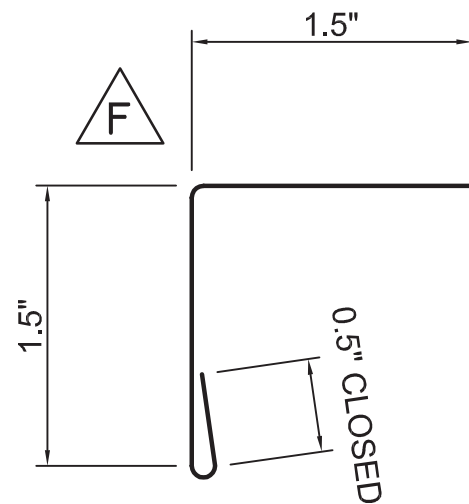
PF15 DRIP CAP



PF21 JAMB TRIM

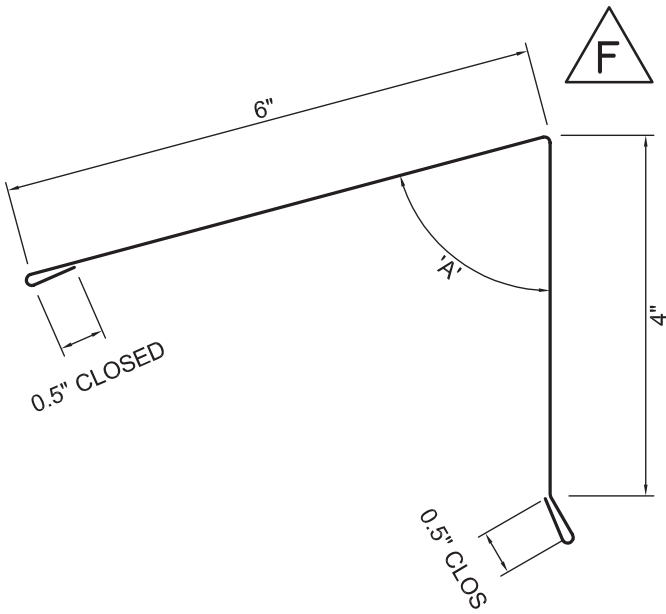


PF14 BASE ANGLE TRIM

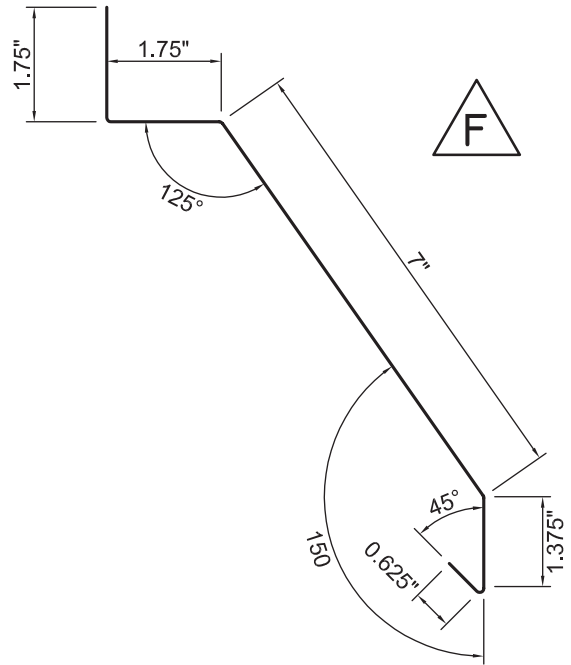


PF38 ANGLE TRIM

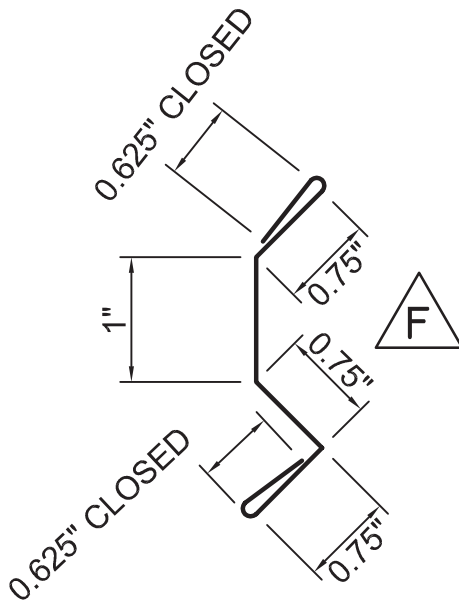
# Trim



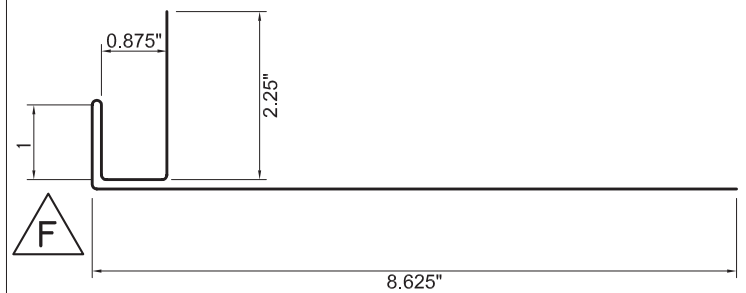
PF40 PEAK FLASHING



PF23 ROLLING DOOR TRACK COVER - CANNONBALL



PF33 SURFACE MOUNTED COUNTER FLASHING



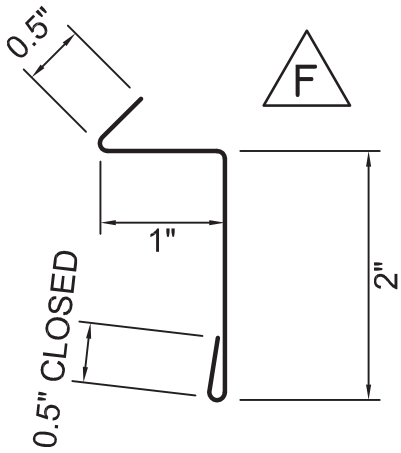
PF17 OVERHEAD DOOR TRIM



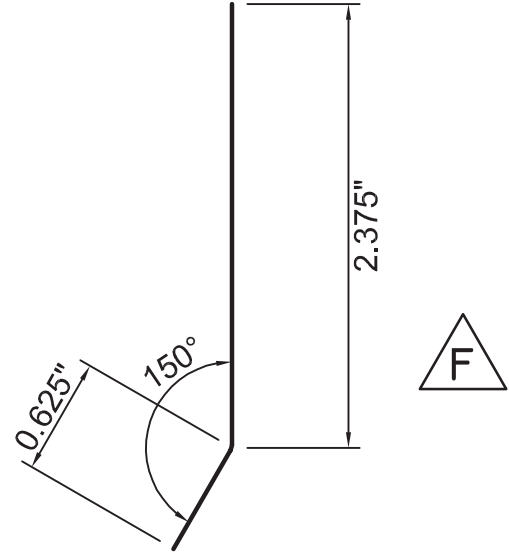
# Trim



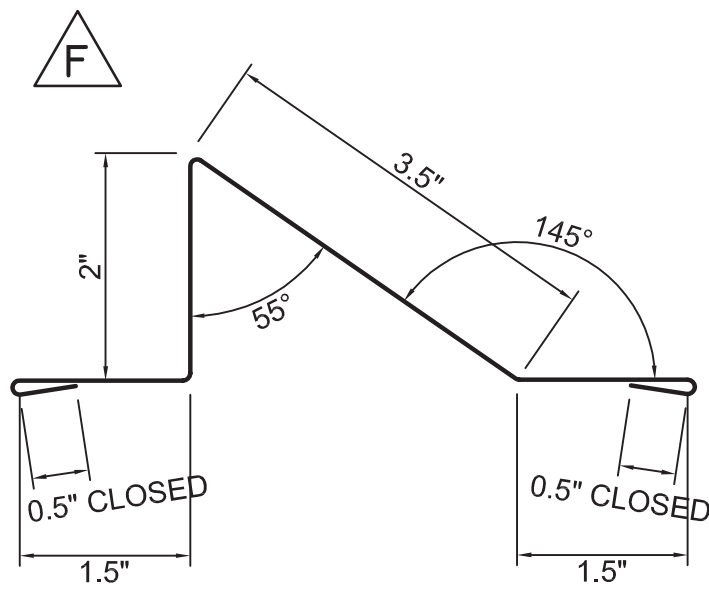
Your Roof. For Life!  
On Time and Complete!™



PF35 REGLET FLASHING

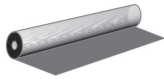


CLO1 CLEAT

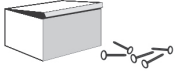


PF41 SNOW RAIL

# Accessories



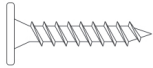
Repel™ Underlayment  
(250 ft x 4 ft wide = 1,000 sf)



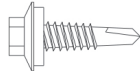
1 1/4" Galvanized Roofing Nails for Repel™  
(5 lb. Box. Estimate 1 box per 15 squares)



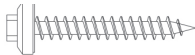
1" HWH Wood Screw  
1 1/2" HWH Wood Screw  
2" HWH Wood Screw  
2 1/2" HWH Wood Screw  
(250 pcs per bag)



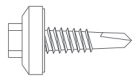
#10 x 1" pancake head wood screw  
(250 pcs per bag)



#14 x 7/8" HWH Lap Tek Screw  
(250 pcs per bag)



Ultimate 10-14 x 1 1/2" Wood Screw\*  
Ultimate 10-14 x 2" Wood Screw\*  
Ultimate 10-14 x 2 1/2" Wood Screw\*  
(250 pcs per bag)



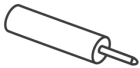
Ultimate #14 x 7/8" HWH Lap Tek Screw\*  
(250 pcs per bag)



Tape Sealant 3/8" x 45' Butyl Caulk Tape  
(for panel side laps only)



Tape Sealant 7/8" x 40' Butyl Caulk Tape  
(for panel side laps only)



Tube Sealant  
(Geocel 2300 Tripolymer, clear)



Touch Up Paint (0.6 oz. Bottle w/ brush)



MasterRib Inside Foam Closure  
(36" long)



MasterRib Outside Foam Closure  
(36" long)



Emseal Expandable Closure, 1" x 1"  
(19' per roll)



VersaVent Vented Closure  
(10' per roll)



Pipe Penetration Boot #3  
(Master Flash #3 fits 1/4" to 4" diameter)



Pipe Penetration Boot #6  
(Master Flash #6 fits 5" to 9" diameter)



High Temp.

High Temperature Pipe Penetration #6  
(Master Flash #6 fits 5" to 9" diameter)



Retrofit Pipe Penetration Boot (1RMF)  
(Fits 1/4" to 4" diameter)



Retrofit Pipe Penetration Boot (2RMF)  
(Fits 4" to 7" diameter)



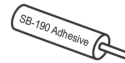
Valley Roll Metal 20" wide x 50 feet long



Flat Sheets 41 9/16" x 10 feet long



Snow Guard, 3 1/2" wide x 6" long  
Clear, polycarbonate



SB-190 Snow Guard Adhesive  
(estimate 1 tube per 8 to 10 guards)



Polycarbonate Panels, White and Clear.  
8', 10', 12' lengths

\* Ultimate screws are required for Lifetime Warranty

# Cannonball Items



Your Roof. For Life!  
On Time and Complete!™



**Part # AC-CB-0101-230**  
Cannonball 6ft Key Hole Track

**Part # AC-CB-0101-234**  
Cannonball 8ft Key Hole Track

**Part # AC-CB-0101-203**  
Cannonball 10ft Key Hole Track

**Part # AC-CB-0101-205**  
Cannonball 12ft Key Hole Track



**Part # AC-CB-0101-254**  
Delrin Trolley 9 1/2 in Bolt

**Part # AC-CB-0101-253**  
Delrin Trolley 6 1/2 in Bolt

**Part # AC-CB-0101-252**  
Delrin Trolley 3 3/8 in Bolt



**Part # AC-CB-0101-214**  
200 White Sliding Door Side Rail 8ft

**Part # AC-CB-0101-210**  
200 White Sliding Door Side Rail 10ft

**Part # AC-CB-0101-211**  
200 White Sliding Door Side Rail 12ft

**Part # AC-CB-0101-212**  
200 White Sliding Door Side Rail 14ft

**Part # AC-CB-0101-213**  
200 White Sliding Door Side Rail 16ft



**Part # AC-CB-0101-226**  
216 White Center Double Couple 8ft

**Part # AC-CB-0101-222**  
216 White Center Double Couple 10ft

**Part # AC-CB-0101-223**  
216 White Center Double Couple 12ft

**Part # AC-CB-0101-224**  
216 White Center Double Couple 14ft

**Part # AC-CB-0101-225**  
216 White Center Double Couple 16ft



**Part # AC-CB-0101-265**  
Face Mount Bracket No Cover

**Part # AC-CB-0101-264**  
Face Mount Bracket For Cover



**Part # AC-CB-0101-256**  
Delrin Adjustable Strap Trolley



**Part # AC-CB-0101-294**  
Cannonball Splice Collar



**Part # AC-CB-0101-258**  
Galvanized Door Pull

**Part # AC-CB-0101-232**  
White Door Pull



**Part # AC-CB-0101-263**  
Cannonball Track End Cap



**Part # AC-CB-0101-301**  
Universal Double Track Bracket



**Part # AC-CB-0101-285**  
Cannonball Adjustable Stay Roller



**Part # AC-CB-0101-241**  
Adjustable Door Stop Galvanized /  
2.75" to 4.25"



**Part # AC-CB-0101-245**  
Cam Latch



**Part # AC-CB-0101-248**  
Center Door Latch

**Part # AC-CB-0101-300**  
Sliding Door Hardware Kit

- (2) Delrin Trolley 9 1/2" Bolt
- (2 pair) Cannonball Track End Cap
- (1) Cannonball Splice Collar
- (1) White Door Pull
- (12) Face Mount Bracket For Cover
- (1) Cannonball Adjustable Stay Roller
- (1) Adjustable Door Stop Galvanized / 2.75" to 4.25"



*Your Roof. For Life!  
On Time and Complete!™*

**unioncorrugating.com**

**888-685-7663**

Ocala, FL  
490 Oak Rd.  
Ocala, FL 34472  
800-331-3584

Vicksburg, MS  
1463 Interplex Circle Ceres  
Industrial Complex  
Vicksburg, MS 39183  
888-661-0577

Dayton, OH  
625 N. Third St.  
Tipp City, OH 45371  
877-615-9812

Morrison, TN  
7747 Manchester Hwy  
Morrison TN 37357  
931-668-4393

Janesville, WI  
3920 Kennedy Rd.  
Janesville, WI 53545  
877-615-9812

Tifton, GA  
3365 US Hwy 41 S.  
Tifton, GA 31794  
800-962-9131

Fayetteville, NC  
701 S. King St.  
Fayetteville, NC 28301  
888-685-7663

Scranton, PA  
100 Keystone Industrial  
Park Rd. Ste. 2B  
Dunmore, PA 18512  
570-383-2847

Orange, VA  
12435 James Madison  
Orange, VA 22690  
800-762-6785